



TECHNICAL SPECIFICATIONS

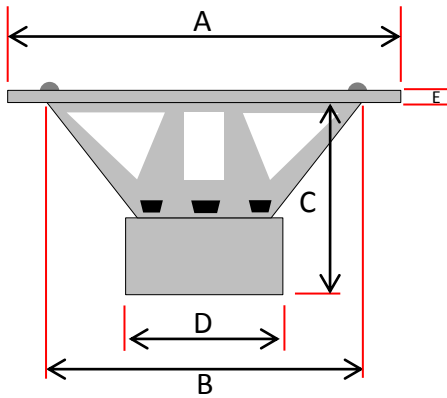
Model	GZUC 650SQ-II	
Impedance	4 Ohm	
Frequency response	40Hz – 24kHz	
Cut-off frequency	2800 Hz (12 dB)	
SPL 1W/1M	90 dB	
Power Watt RMS	130	
Power Watt Maximum	210	
Crossover	2- Way	
Crossover parts	Air coils / MOX resistors / MET & Elko capacitors / PTC	
Crossover function	Adjustable tweeter level and highpass	
	Midwoofer	Tweeter
Cone (Dome)	WFWC (1Layer glass fibre / 1layer wood fibre)	High shape coated silk dome
Cone color	Brown	Black
Surround	U-Shape rubber	Coated silk
Dustcap	Coated cloth fibre with dark grey logo print	-
Basket / Frame material	Euro-Din Aluminum cast	Front: ABS plastic / Back: Machined aluminum
Basket / Frame color	Dark grey powder coated	Front: Black / Back: Copper anodized
Terminal	Chrome push terminal	Cable
Magnet	1 x Ferrit 90 x 15 mm (3.54" x 0.59")	1 x Neodymium with coupled chamber
Voice coil	30.5 mm / 1.2" copper round wire	25 mm / 1" copper round wire
Voice coil former	Aluminum	Aluminum
RE	3.4 Ohm	3.4 Ohm
SPL	88 dB	91 dB
FS	63.5 Hz	750 Hz
QMS	7.34	
QES	0.60	
QTS	0.55	
VAS	9.5 L / 0.335 cu.ft	
MMS	16.2 Gr	
BL	6.1 N/A	
RMS	0.9 kg/s	
CMS	0.39 mm/N	
LE	0.38 mH	
Linear Excursion	+ / - 5 mm / 0.2 "	
X Max	10 mm / 0.39"	
Frequency response	40 Hz – 3.5 kHz	2 – 24 kHz
Outer diameter	165 mm / 6.5"	54 mm / 2.13" (44 mm / 1.73")
Mounting diameter	145.7 mm / 5.74"	48 mm / 1.89"
Mounting depth	66 mm / 2.6"	22 mm / 0.87"



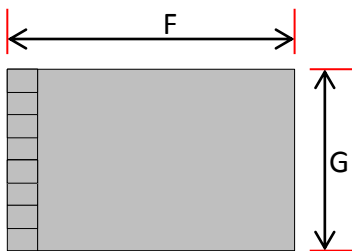
TECHNICAL SPECIFICATIONS

WFWC® "Wooden Fiber Woven Compound"

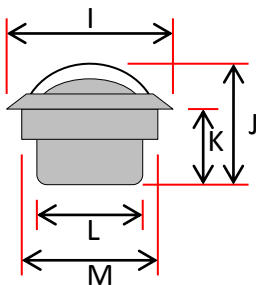
This state of the art cone material and its production technology combine extraordinary low distortion of thin woven glass fiber and the outstanding strength of rough wooden fabric. Due to its light weight this cone offers perfect and precise sound quality.



A	165 mm / 6.5"
B	147.5 mm / 5.74"
C	66 mm / 2.6"
D	104 mm / 4.09" (90 mm / 3.54")
E	4 mm / 0.16"



F	130 mm / 5.12"
G	85 mm / 3.35"
H	34 mm / 1.34"



I	54 mm / 2.13" (44 mm / 1.73")
J	31.5 mm / 1.24"
K	22 mm / 0.87"
L	33 mm / 1.3"
M	48 mm / 1.89" (incl. bracket)

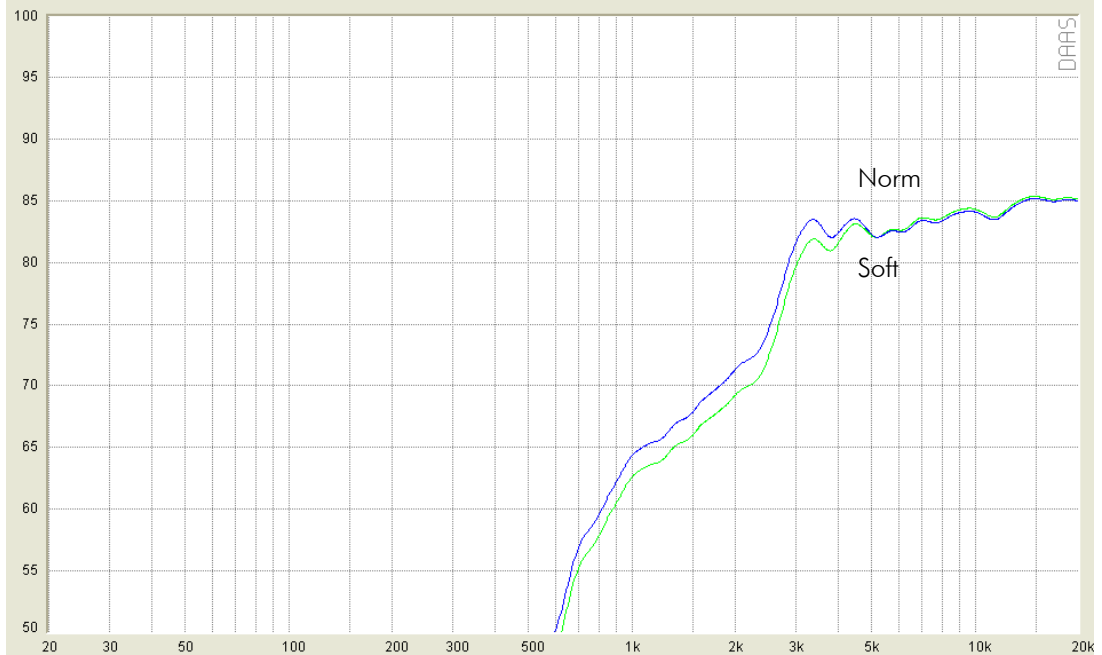
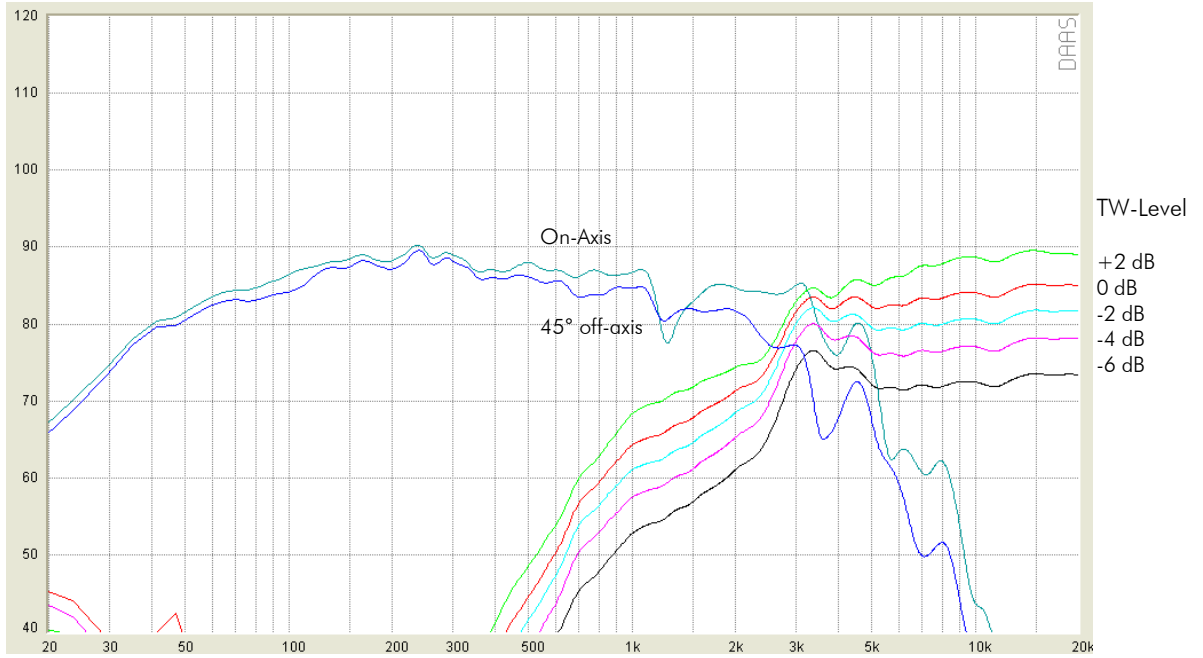


CROSSOVER FUNCTIONS

TW-Level	Wirkung / Effect
- 6 dB / - 4 dB / - 2 dB / 0 dB / + 2 dB	5-Stufige Individuelle Hochtön-Anpassung <i>5 stepped individual Tweeter adjustment</i>
TW	Wirkung / Effect
Norm (Linear)	Empfohlen bei +2dB und 0dB TW-Level Einstellung <i>Recommended for +2dB and 0dB TW-Level adjustment</i>
Soft	Hochtönabsenkung unterhalb 5 kHz Empfohlen, falls eine dezenterere Hochtönwiedergabe erwünscht ist und bei TW-Level -2dB / -4dB und -6dB <i>Tweeter level decrease below 5 kHz Recommended if a discreet tweeter performance is requested and at TW-Level -2dB / -4dB and -6dB .</i>



FREQUENCY CURVES



WIRING DIAGRAM

