

GROUND ZERO[®]

GERMAN ENGINEERING

Datasheet

GZHW 38SPL



GROUND ZERO GmbH – Erlenweg 25 – 85658 Egmating – Germany

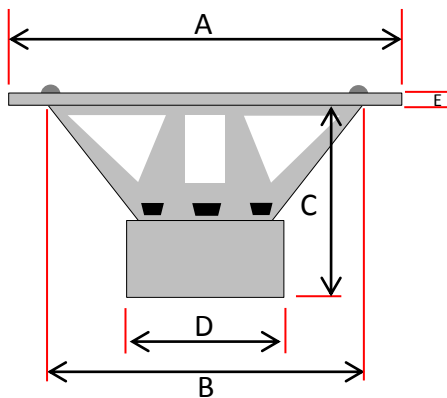


GroundZeroAudioCom

www.ground-zero-audio.com
info@ground-zero-audio.com

TECHNICAL SPECIFICATIONS

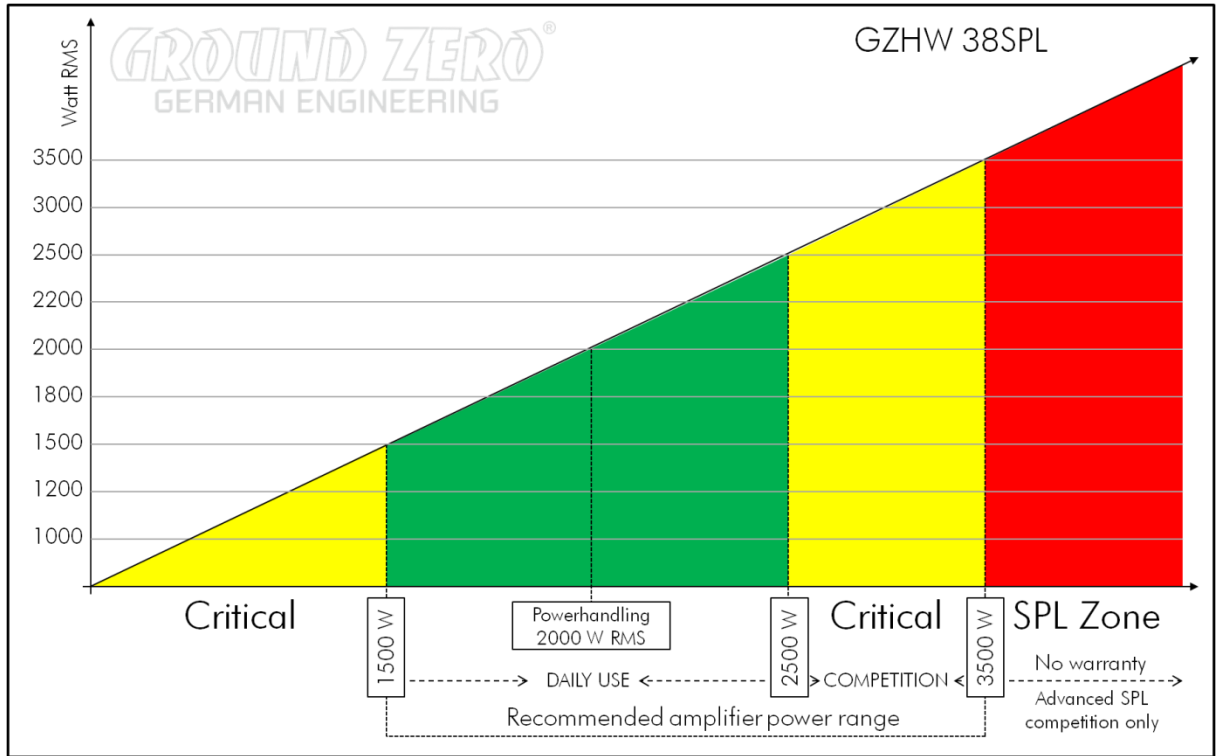
Product name	GZHW 38SPL	Gasket	Foam
Product type	Subwoofer chassis	Terminal	Black chrome push terminal
Diameter	390 mm / 15.35"	Power handling	3500 W SPL Power (2000 WRMS)
Mounting diameter	360 mm / 14.17"	Impedance	2 x 1 Ohm
Mounting depth	231 mm / 9.09"	Re	1.9 Ohm
Magnet dimension	3 x 190 x 20 mm	Res	22.39 Ohm
Total weight	17 KG	FS	36.3 Hz
Voice coil diameter	75 mm / 3" Round Wire	Qms	7.08
Voice coil winding height	40 mm / 1.57"	Qes	0.56
Voice coil wire material	Copper	Qts	0.52
Voice coil former material	Aluminum	Rms	16.43 g/s
Top plate height	12 mm / 0.47"	Cms	0.038 mm/N
Linear excursion (one direction)	14 mm / 0.55"	Mms	510.4 gr
Effective Xmax	45 mm / 1.77"	BL	19.92 N/A
Top Plate and T-Yoke color	Black machined	SPL (1w/1m)	87 dB
Basket material	Aluminum Cast	VAS	32.84 L / 1.16 cu.ft
Basket color	Yellow	Le	2.14 mH
Spider	2x Progressive Polycot	Sd	784.27 cm ²
Surround	High roll wide sandwich foam	Recommended freq. response	35 – 80 Hz
Cone	Reinforced paper	Recommended amplifier power	1500 – 3500 WRMS @ 2Ohm / 0,5 Ohm
Dustcap	IMPP konvex / with 3D Logo	Sound Quality	⊙⊙⊙⊙ (max. ⊙⊙⊙⊙⊙⊙)
Magnetcover	PVC	SPL Competition	⊙⊙⊙⊙ (max. ⊙⊙⊙⊙⊙⊙)
		Low bass performance 20-50Hz	⊙⊙⊙⊙⊙ (max. ⊙⊙⊙⊙⊙⊙)
		Mid bass performance 50-80Hz	⊙⊙⊙⊙ (max. ⊙⊙⊙⊙⊙⊙)



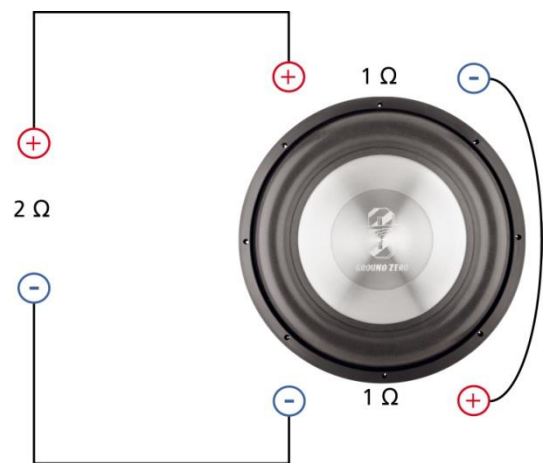
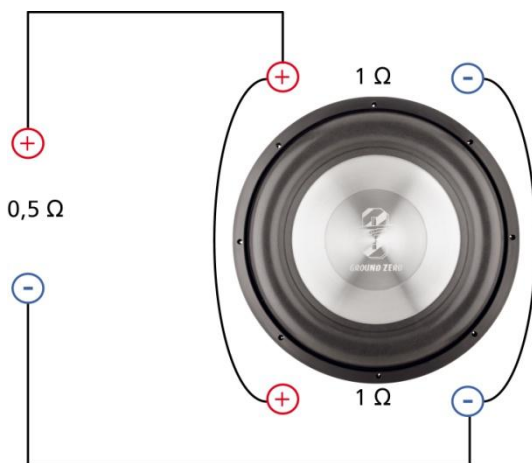
A	390 mm / 15.35"
B	360 mm / 14.17"
C	231 mm / 9.09"
D	190 mm / 7.48"
E	10 mm / 0.39"



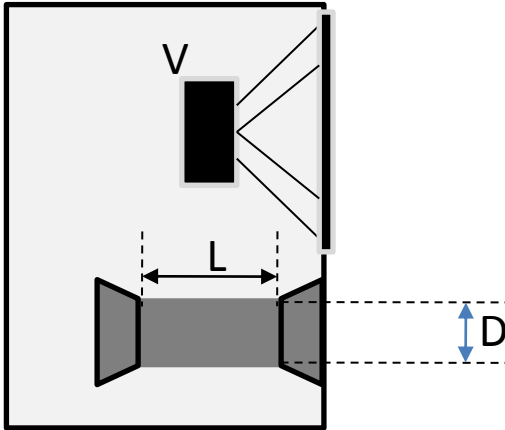
AMPLIFIER RECOMMENDATION



WIRING



ENCLOSURE RECOMMENDATION



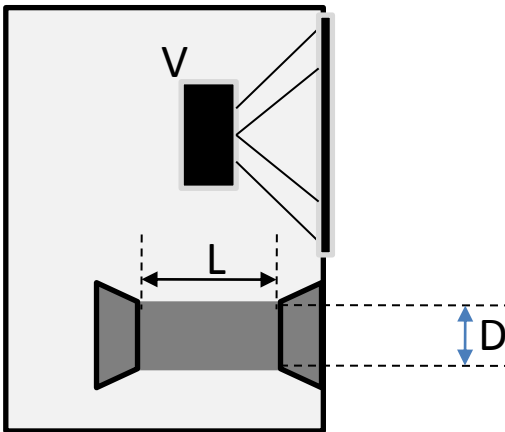
Big size vented box

V: 120 L / 4.72 cu.ft

D: 1 x 160 mm / 1 x 6"

L: *300 mm / 12"

No damping



Medium size vented box

V: 90 L / 3.18 cu.ft

D: 1 x 160 mm / 1 x 6"

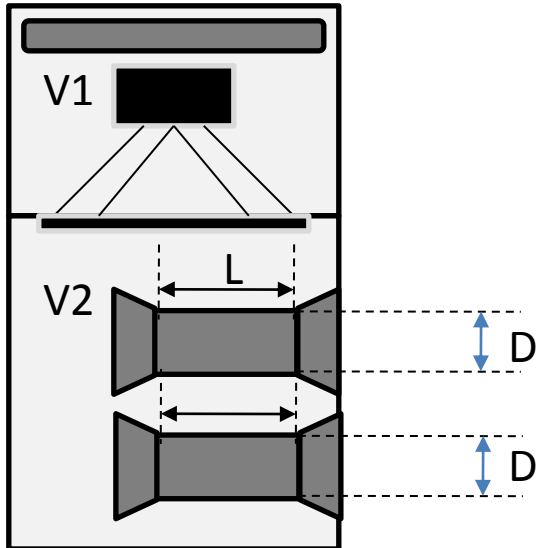
L: *300 mm / 12"

No damping

Die hier aufgeführten Gehäusevorschläge sind nur einige, der möglichen Varianten.
Bitte beachten Sie zudem, dass die finale Abstimmung, speziell die Port Längen je nach Fahrzeug und eigenem Geschmack variiert werden sollte.
*Above-mentioned enclosure recommendations are just a few possible variations.
Please note that you should find the perfect tuning, especially port length, based on your car and own taste.*



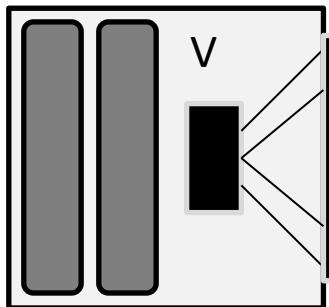
ENCLOSURE RECOMMENDATION



Medium size bandpassbox

V1: 40 L / 1.41 cu.ft
V2: 60 L / 2.12 cu.ft
D: 1 x 160 mm / 1 x 6"
L: *240 mm / 9.45"

20% polyester wool in V1
No damping in V2



Medium size sealed box

30 – 60 L / 1.06 – 2.12 cu.ft
Qtc 0.75 – 0.65

40 - 60% polyester wool

Die hier aufgeführten Gehäusevorschläge sind nur einige, der möglichen Varianten.
Bitte beachten Sie zudem, dass die finale Abstimmung, speziell die Port Längen je nach Fahrzeug und eigenem Geschmack variiert werden sollte.
Above-mentioned enclosure recommendations are just a few possible variations.
Please note that you should find the perfect tuning, especially port length, based on your car and own taste.



ENCLOSURE RECOMMENDATION

Bassreflex / Vented (Rot / Red)	120 Liter netto / 3.18 cu.ft. net
Port	1 x 160 mm / 1 x 6"
Portlänge / Length*	30 cm / 12"
F3	28 Hz

Bassreflex / Vented (Orange / orange)	90 Liter netto / 3.18 cu.ft. net
Port	1 x 160 mm / 1 x 6"
Portlänge / Length*	30 cm / 12"
F3	31 Hz

Bandpass 4 th order (Grün / Green)	40 Liter netto geschlossen / 1.41 cu.ft. net sealed 60 Liter netto ventiliert / 2.12 cu.ft. net vented
Port	1 x 160 mm / 1 x 6"
Portlänge / Length*	24 cm / 9.45"
Fb	52 Hz
Bandbreite / Bandwidth (-3dB)	32 – 81 Hz

Geschlossen/Sealed	
Minimum Volume (Schwarz / Black)	30 Liter netto / 1.06 cu.ft. net
Qtc / F3	0.75 / 50 Hz
Maximum Volume (Blau / Blue)	60 Liter netto / 2.12 cu.ft. net
Qtc / F3	0.65 / 50 Hz

