

GROUND ZERO[®]

GERMAN ENGINEERING

Datasheet

GZHW 20SPL



GROUND ZERO GmbH – Erlenweg 25, 85658 Egmating, Germany

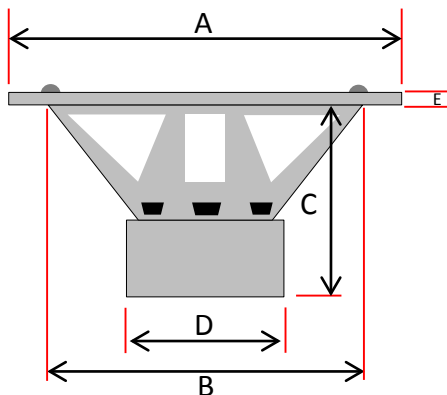
 GroundZeroAudioCom

www.ground-zero-audio.com
info@ground-zero-audio.com

TECHNICAL SPECIFICATIONS

Product name	GZHW 20SPL	Gasket material	Foam
Product type	Subwoofer driver	Terminal type	Black-chromed push terminal
Outer diameter	211 mm / 8.31"	Power handling	1500 WSPL (700 WRMS)*
Mounting diameter	187 mm / 7.36"	Impedance	2x 1 ohms
Mounting depth	143.5 mm / 5.65"	$R_{e(Serial)}$	2.01 ohms
Magnet dimension	(3x) 160 x 15 mm	R_{es}	29.90 ohms
Total weight	7.6 kg	F_S	38.3 Hz
Voice coil diameter	63 mm / 2.5" round wire	Q_{ms}	6.04
Voice coil winding height	35 mm / 1.38"	Q_{es}	0.407
Voice coil wire material	Copper	Q_{ts}	0.381
Voice coil former material	Aluminum	R_{ms}	7.845 kg/s
Top plate / height	9 mm / 0.35"	C_{ms}	0.088 mm/N
Linear excursion (one direction)	13 mm / 0.51"	M_{ms}	196.7 gr
Effective Xmax	40 mm / 1.57"	BL	15.32 N/A
Top Plate and T-Yoke color	Black machined	SPL (1w/1m)	80.0 dB
Basket material	Aluminum cast	V_{AS}	4.77 L / 0.168 cu.ft
Basket color	Yellow	L_e	1.923 mH
Spider material	(2x) progressive POLYCOT	S_d	196,07 cm ²
Surround type	High-roll sandwich foam	Recommended frequency range	40 – 100 Hz
Cone material	Reinforced paper	Recommended amplifier power	500 – 1500 WRMS (@ 2 / 0.5 ohms)
Dustcap material	Convex IMPP with 3-D logo		
Magnet cover	PVC		

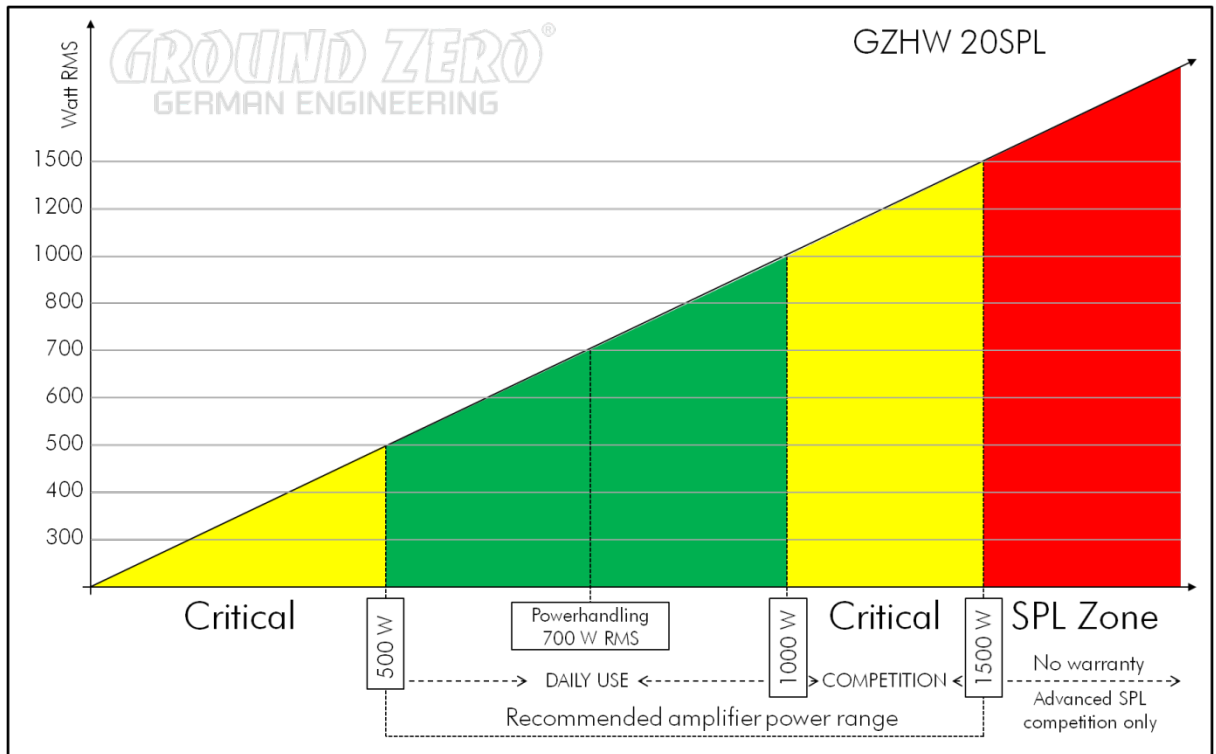
* max. power handling is only for recommended enclosure applicable



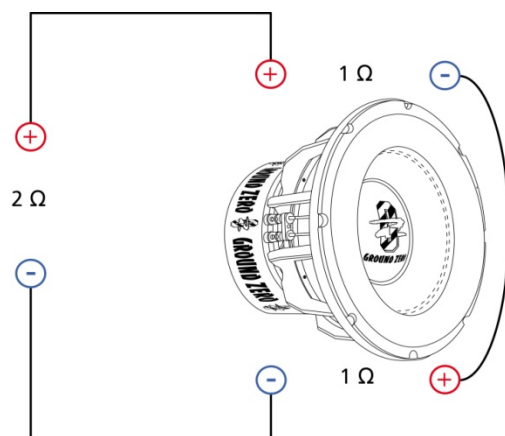
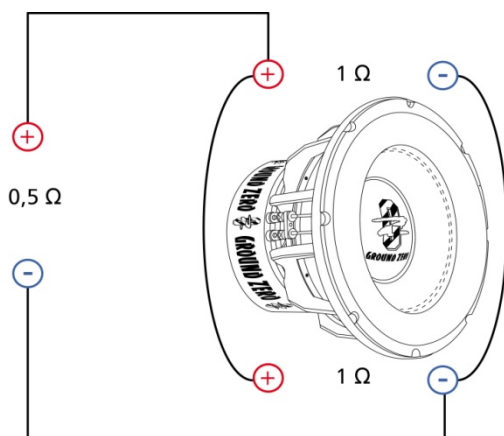
A	211 mm / 8.31"
B	187 mm / 7.36"
C	143.5 mm / 5.65"
D	169 mm / 6.65"
E	10 mm / 0.39"



POWER RECOMMENDATION



WIRING OPTIONS



ENCLOSURE RECOMMENDATION

Bassreflex / vented (Grün / green)	22 Liter netto / 0.78 cu.ft. net <i>Recommended enclosure</i>
Port (dimensions)	80 mm / 3.15"
Portlänge / port length	270 mm / 10.63"
F ₃ (-3 dB)	36 Hz

Bandpass 4th order (Blau / blue)	8 Liter netto geschlossen / 0.28 cu.ft. net sealed 14 Liter netto ventiliert / 0.49 cu.ft. net vented <i>limited frequency range</i>
Port (diameter)	80 mm / 3.15"
Portlänge / port length	250 mm / 10"
F _b (tuning frequency)	58 Hz
Bandbreite / bandwidth (-3dB)	37 – 86 Hz

Geschlossen / sealed (rot / red)	15 Liter netto / 0.53 cu.ft. net
Q _{tc} / F ₃ (-3 dB)	0.53 / 68 Hz

Geschlossen / sealed (violett / violett)	4 Liter netto / 0.141 cu.ft. net <i>Minimum enclosure volume</i>
Q _{tc} / F ₃ (-3 dB)	0.65 / 64 Hz

